



**WATER** • AquaJet Taps • 150mm swivel gooseneck • Deck mounted



MODEL:

**AJ-B-3SG6L**

**AQUAJET**  
manufactured by **MECHLINE**

AquaJet Twin Mixer Tap with Lever control and 150mm Swivel Gooseneck Spout

**Manufacturer:** Mechline Developments

**Brand:** AquaJet

**Model Range:** AquaJet 30

**Base:** AJ-B-30

**Pedestal:** Twin Hole

**Mount:** Deck mounted

**Water Feed:** Twin

**Controls:** Lever

**Tap Type:** Twin Mixer

**Spout:** 150mm swivel gooseneck

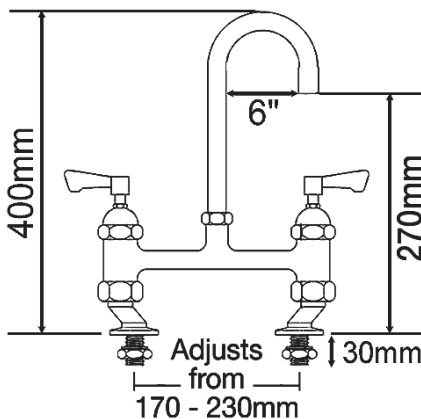
**Accreditation:** WRAS

**FEATURES & BENEFITS**

- Comprehensive range of taps manufactured to meet the rigours of commercial catering.
- High quality, robust construction specifically designed for commercial kitchens.
- Easy lever operation.
- Selection of spouts to suit most applications.
- Spare parts available.
- WRAS approved.

**TECHNICAL INFO**

- Connection(s): 1/2-inch
- Worktop hole: 25mm
- Recommended working pressure: 1.5 - 5 bar
- Flow rates: 6.09 lpm tested at 3 bar pressure.



**MAINTENANCE & CLEANING**

**Cleaning chrome:** Do not use abrasive, chlorine or acid-based cleaning products. Avoid contact with concentrated bleach. Clean with soapy water using a cloth or sponge.

Dimensions are in millimeters. If a CAD file is required please visit [www.mechline.com](http://www.mechline.com).



MECHLINE DEVELOPMENTS LIMITED

Tel: +44 (0)1908 261511 | Email: [info@mechline.com](mailto:info@mechline.com) | Web: [www.mechline.com](http://www.mechline.com)